

Installation Instructions of PRB-103 Projector Hanger

1. Technical parameter:

Weight: 2.4KG; Maximum load: 20KG; Adjustable angle: up & down 0~+90°; horizontal swing 360°.

1. Part List

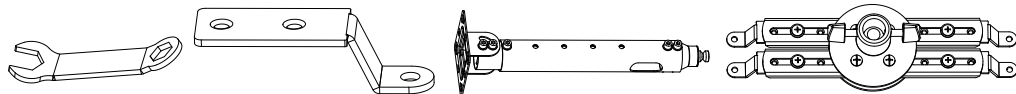
Please check the parts in the package in comparison with the following list. Make sure all of the parts are in the package. Never use defective parts. Never replace part with different specification.



(A)M8*60 Metal anchor(4) (B)Plastic washer(1) (C)Ø3 flat washer(4) (D)Φ4 flat washer(4) (E)Φ5 flat washer(4)



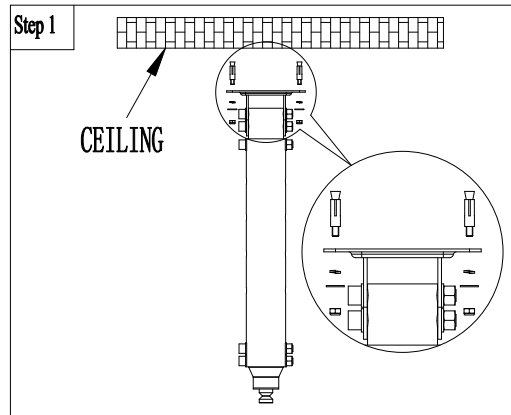
(F)M3*10 Phillips screw(4) (G)M4*10 Phillips screw(4) (H)M5*10 Phillips screw(4) (I)Inner hexagon spanner S=6(1)



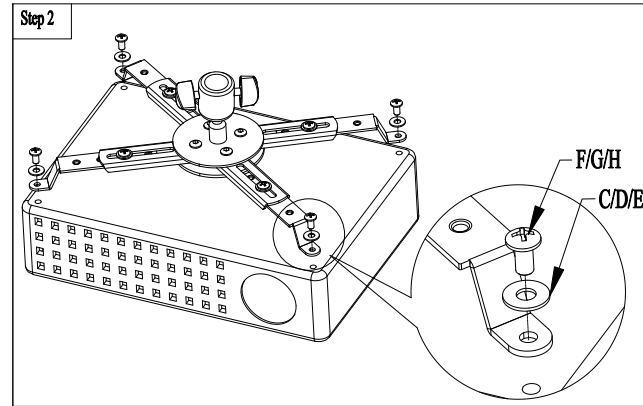
(J) spanner S=13(1) Short joining patch (4) Supporting component Connection component

Thank you for purchasing our projector hanger very much. Please read all instructions carefully and save it for later transit and replacing and maintaining.

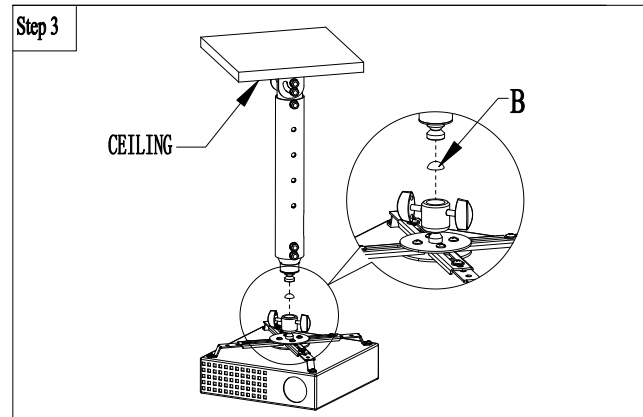
Note: Don't loose the two side knobs at the same time after finishing installation, for fear that it drops.



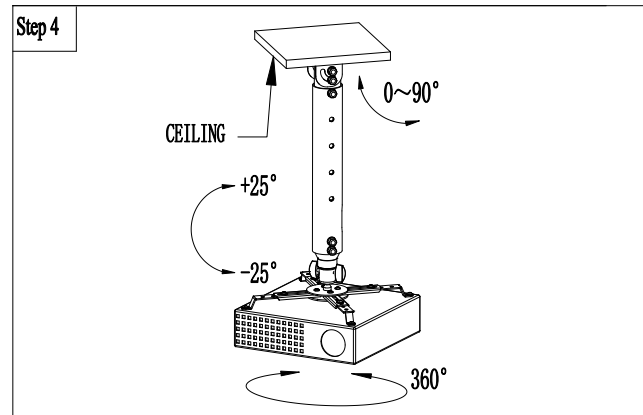
Step 1: Use the fixing component as a templet to drill 4 holes of $\Phi 10\text{mm}$ and 50mm deep on the ceiling. The holes should be symmetrical and balanceable in horizontal and vertical direction. Insert four metal anchors into these holes, then tighten the fixing component. Remove the flat washers, spring washers and nuts from the steel anchors, then place Fixing component on the four screws exerted, and then install the flat washers, spring washers and nuts on the four screws. Each nut should be screwed down to make the steel anchor and Fixing component and the ceiling be fastened.



Step 2: When mounting the connection components, the four Z-formed connecting patches should be laid reasonably according to the position of the holes in the upper part of the projector. And the screws should be selected according to the size of the thread holes in the projector, Please place the projector as center as possible, then screw all the bolts.



Step 3: When mounting the projector, unscrew the knobs in two sides of the projector at first, and don't let the knob end over the inner surface to avoid failing to mount. And then put the plastic washer into the connection component. The purpose of mounting as the shape is to preventing internal abrasions. (Don't loose the two side knobs at the same time for fear that it drops).



Step 4: After the installation has been completed, you may adjust the angle and the flex the distance of the project as your need. Note: this product can be installed on the slantwise wall. Adjust the position of projector to a suitable place according to the different tilting angle.