

Instructions of YD-DLB-010 Table Fixed Installation for Panel TV

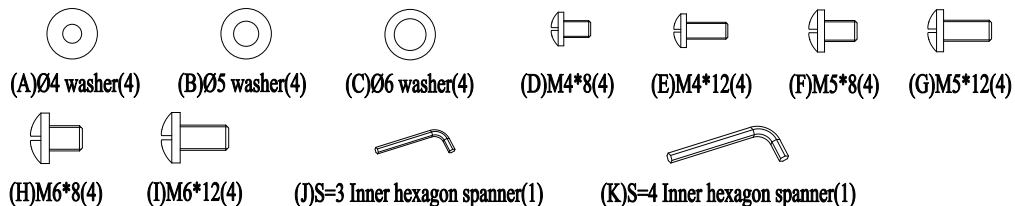
1. Technical parameter

Weight: 2.3kg; Size of flat panel TV: 10"~22"; Maximum load: 8kg; Tilt angle: $\pm 15^\circ$; Swivel angle: 360° ; Rotation: 360° .

2. Part List

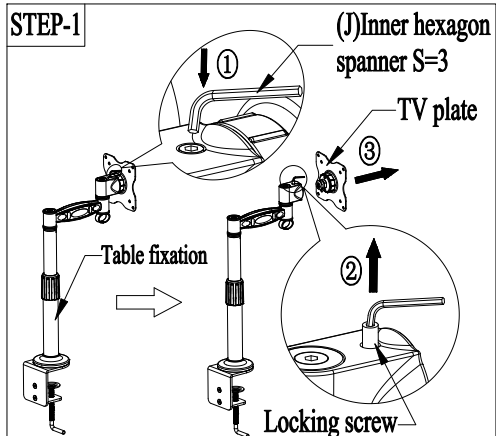
Please check the parts in the package in comparison with the following list. Make sure all of the parts are in the package. Never use defective parts. Never replace part with different specification.

Note: Incorrect installation may cause injury!

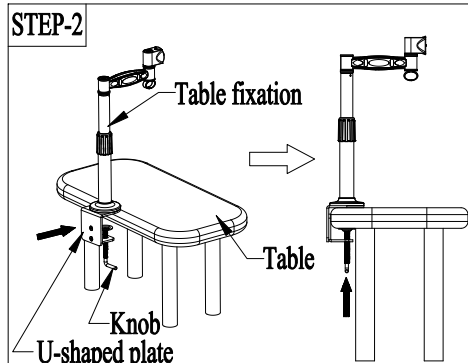


3. Installation and operation instructions

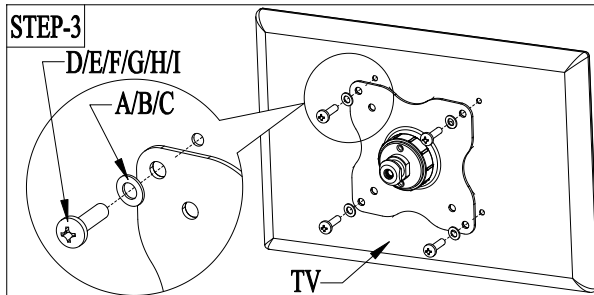
Note: please read the instructions carefully before installation!



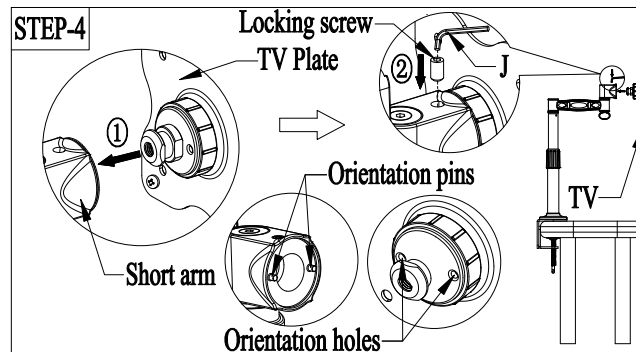
Please use the Inner hexagon spanner S=3(J) to loosen the locking screw in order to separate the table fixation and TV plate.



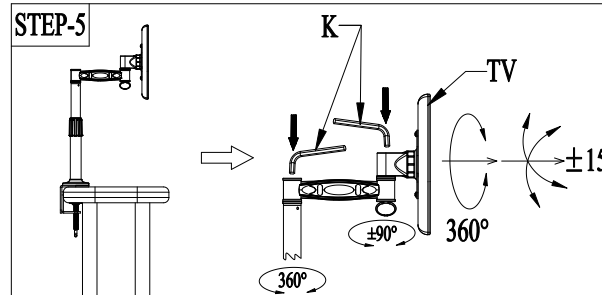
There is a U-shaped plate and a knob at the bottom of the table fixation. Make the U-shaped plate align the edge of the table, then insert the U-shaped plate to the table edge absolutely, tighten the knob to fix the table fixation and the table firmly.



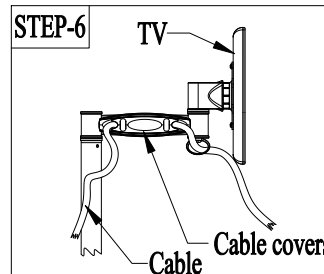
Install TV plate on the TV back. Select four suitable bolts from the parts bag and screw them into the bolt-holes in the back of the TV. The TV plate mounted on the TV back should be mounted symmetrically and evenly.



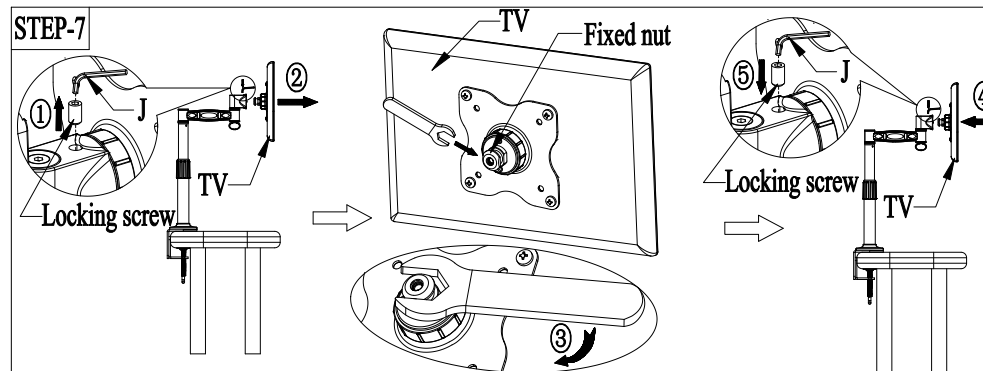
Lift and rotate the display plate mounted TV by two person and make sure the two orientation pins in small arm align to the orientation holes in the TV plate assembly, insert the TV together with the TV plate assembly into the short arm, then use the inner hexagon spanner S=3 (J) to firmly tighten the locking screw.



Adjust the position and angle of the flat panel TV for convenient viewing. Using the inner hexagon spanner S=4 (K) to loosen the bolt before adjusting the view angle, and firmly tighten the bolt after adjustment. While adjusting, please take care of your hand to avoid clipping.



Route the cables along inside of the arm, the cables should be obligated some surplus in corner. With all cables in place, secure the cable covers in place. and pull the arm assembly in and out and check that the arm assembly moves freely. The cables surplus in corner can be adjusted by pulling the cables lightly to keep lax and avoid stretching or damaging the cables. Thus the cables will be in protected status inside of the arm all along when adjusting the viewing angles of the display. (Shown as Fig)



Please fasten the fixed nut as below procedure if the tilt angle cannot be fixed properly. Using the inner hexagon spanner S=3 (J) to loosen the locking screw at first, then remove the TV together with the TV plate, Firmly tighten the fixed nut with a spanner in the clockwise direction. Insert the TV back to the table fixation, Using the inner hexagon spanner S=3 (J) to fix the locking screw tightly at last.