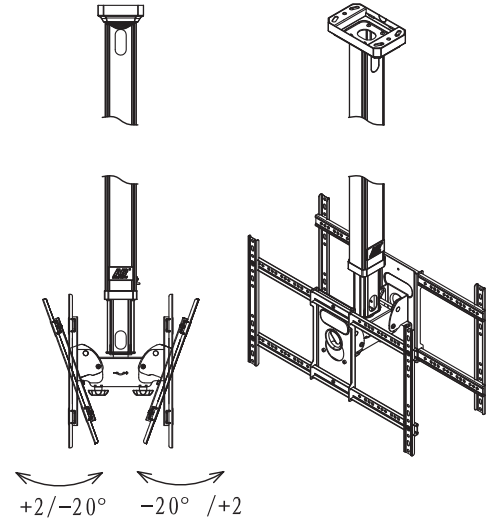
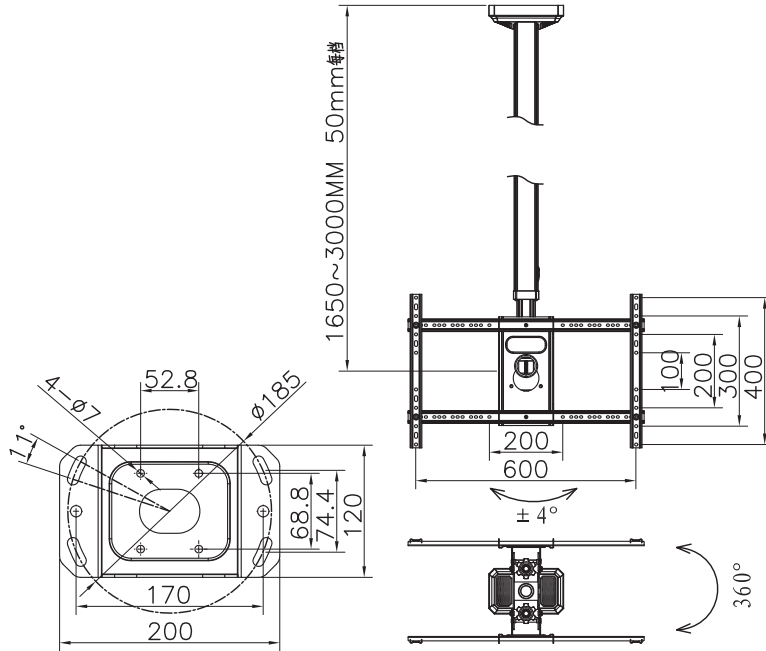


Model

WS T6030



TOLERANCE UNLESS OTHERWISE SPECIFIED

0-10 ±0.1  
>10-50 ±0.2  
>50-120 ±0.3  
>120-400 ±0.5  
>400-1000 ±0.8  
>1000-3000 ±1.2  
HOLES +0,15/-0.0  
ANGLE ±1°

MATERIAL: MILD STEEL

PART NO.: WS T6030

UNIT: MM

SCALE: 1:1

PROJECTION



NOTES:

1. Load: 125 LBS (56.8 KG)
2. Appearance: TV Size: 45" - 85"
3. VESA: 200\*100/200\*200/200\*400 /300\*300/400\*400/600\*400